

**BALDOR® • RELIANCE** 

**Product Information Packet**

**M7010A**

**.75HP, 1725RPM, 3PH, 60HZ, 56, X3420M, XPFC, F1**

Part Detail							
Revision:	AM	Status:	PRD/A	Change #:		Proprietary:	No
Type:	AC	Elec. Spec:	34WG5721	CD Diagram:	CD0007	Mfg Plant:	
Mech. Spec:	34-5323	Layout:	34LY5323	Poles:	04	Created Date:	
Base:	RG	Eff. Date:	01-03-2020	Leads:	12#18		

Specs			
Catalog Number:	M7010A	Insulation Class:	B
Enclosure:	XPFC	Inverter Code:	Not Inverter
Frame:	56	KVA Code:	K
Frame Material:	Steel	Lifting Lugs:	No Lifting Lugs
Output @ Frequency:	.750 HP @ 60 HZ	Locked Bearing Indicator:	No Locked Bearing
Synchronous Speed @ Frequency:	1800 RPM @ 60 HZ	Motor Lead Quantity/Wire Size:	12 @ 18 AWG
Voltage @ Frequency:	208.0 V @ 60 HZ	Motor Lead Exit:	Ko Box
	230.0 V @ 60 HZ	Motor Lead Termination:	Flying Leads
	460.0 V @ 60 HZ	Motor Type:	X3420M
XP Class and Group:	CLI GP D; CLII GP F,G	Mounting Arrangement:	F1
XP Division:	Division I	Power Factor:	58
Agency Approvals:	UR	Product Family:	Hazardous Location Motor
	UL	Pulley End Bearing Type:	Ball
	CSA	Pulley Face Code:	Standard
Auxillary Box:	No Auxillary Box	Pulley Shaft Indicator:	Standard
Auxillary Box Lead Termination:	None	Rodent Screen:	None
Base Indicator:	Rigid	RoHS Status:	ROHS COMPLIANT
Bearing Grease Type:	Polyrex EM (-20F +300F)	Shaft Extension Location:	Pulley End

<b>Blower:</b>	None	<b>Shaft Ground Indicator:</b>	No Shaft Grounding
<b>Current @ Voltage:</b>	1.500 A @ 460.0 V	<b>Shaft Rotation:</b>	Reversible
	3.000 A @ 230.0 V	<b>Shaft Slinger Indicator:</b>	No Slinger
	3.200 A @ 208.0 V	<b>Speed Code:</b>	Single Speed
<b>Design Code:</b>	B	<b>Motor Standards:</b>	NEMA
<b>Drip Cover:</b>	No Drip Cover	<b>Starting Method:</b>	Direct on line
<b>Duty Rating:</b>	CONT	<b>Thermal Device - Bearing:</b>	None
<b>Electrically Isolated Bearing:</b>	Not Electrically Isolated	<b>Thermal Device - Winding:</b>	None
<b>Feedback Device:</b>	NO FEEDBACK	<b>Vibration Sensor Indicator:</b>	No Vibration Sensor
<b>Front Face Code:</b>	Standard	<b>Winding Thermal 1:</b>	Automatic Thermal Overload
<b>Front Shaft Indicator:</b>	None	<b>Winding Thermal 1 Location:</b>	EP
<b>Heater Indicator:</b>	No Heater	<b>Winding Thermal 2:</b>	None
		<b>XP Temp Code:</b>	T3C

Nameplate NP0016XPSL										
NO.		CC								
SER. #										
SPEC	34-5323-5721									
CAT.NO.	M7010A									
H.P.	.75	T. CODE	T3C							
VOLTS	208-230/460									
AMPS	3.2-3/1.5									
R.P.M.	1725									
HZ	60	PH	3	CLASS	B					
SER.F.	1.00	DES	B	CODE	K					
RATING	40C AMB-CONT									
FRAME	56	NEMA NOM. EFF	73							
USABLE AT 208V	3.2	PF	58							
BLANK										

Parts List		
Part Number	Description	Quantity
SA008947	SA 34-5323-5721	1.000 EA
RA005394	RA 34-5323-5721	1.000 EA
TPMYJ64KL	THERMAL 3PH .75 AUT 105C X	1.000 EA
MJ5000A09	EFI KIT #1578 (400 ML CARTRIDGE OF EFI	0.050 EA
35CB3001A01SP	EXPL CONDUIT BOX, MACH, 1/2" PIPE TAP LE	1.000 EA
11XW1032G06	10-32 X .38, TAPTITE II, HEX WSHR SLTD U	1.000 EA
HW3001B01	BRASS CUP WASHER, FOR #10 SCREW	1.000 EA
51XW0832A07	8-32 X .44, TAPTITE II, HEX WSHR SLTD SE	2.000 EA
34EP3703A01	FR ENDPLATE, MACH XP	1.000 EA
HW4002A02	1-11.5X2LG PIPE NIPPLE (F/S)	1.000 EA
HA1025A13	WSHR,FELT,.38" THICK F-26 CLASS	1.000 EA
HW3021E06	1/8 DIA X 5/8 ROLLPIN (F/S)	1.000 EA
HW5100A03	WAVY WASHER (W1543-017)	1.000 EA
34EP3704A01	PU ENDPLATE, MACH XP	1.000 EA
XY3118A12	5/16-18 HEX NUT DIRECTIONAL SERRATION	4.000 EA
34FN3002A01SP	EXTERNAL FAN, PLASTIC, .637/.639 HUB W/	1.000 EA
34FH4002A01SP	IEC FH NO GREASER PRIMED	1.000 EA
51XW1032A06	10-32 X .38, TAPTITE II, HEX WSHR SLTD S	3.000 EA
35CB3500A01SP	CONDUIT BOX LID, MACH	1.000 EA
51XN2520A16	SCREW, HEX WS SLT, ZN, 1/4-20 X 1.00	4.000 EA
HW2501D13	KEY, 3/16 SQ X 1.375	1.000 EA
HA7000A04	KEY RETAINER 0.625 DIA SHAFTS	1.000 EA
NP0018W	ALUM UL XP CONDUIT BOX NAMEPLATE	1.000 EA
HA6001A01	THERMAL RETAINER (PLATED)	1.000 EA

<b>Parts List (continued)</b>		
<b>Part Number</b>	<b>Description</b>	<b>Quantity</b>
NS2500A05	INSULATOR, AUTO THER PROT	1.000 EA
12XF0632A06	6-32X3/8 TY F HEX HD SLT	2.000 EA
WD1000A16	2-520128-2 AMP FLAG TERMINAL(4M/RL)	12.000 EA
MG1025G29	WILKOFASST, 789.229, DARK CHARCOAL GRAY	0.014 GA
85XU0407S04	4X1/4 U DRIVE PIN STAINLESS	6.000 EA
SP5037A01	TERMINAL PLATE ASS'Y MODEL 34 - 3 PHASE	1.000 EA
WD1000A16	2-520128-2 AMP FLAG TERMINAL(4M/RL)	12.000 EA
HA3104A08	THRUBOLT-5/16-18X9.375 X X	4.000 EA
MN416A01	TAG-INSTAL-MAINT no wire (1200/bx) 3/19	1.000 EA
LB1118	LABEL,WARNING (ROLL LABEL)	1.000 EA
LC0007	CONNECTION LABEL	1.000 EA
NP0016XPSL	SS XP UL CSA CC CL-I GP-D CL-II GP-F&G	1.000 EA
36PA1000	PKG GRP, PRINT PK1016A06	1.000 EA

**AC Induction Motor Performance Data**  
Record # 6818 - Typical performance - not guaranteed values

<b>Winding:</b> 34WG5721-R001	<b>Type:</b> 3420M	<b>Enclosure:</b> XPFC
-------------------------------	--------------------	------------------------

Nameplate Data				460 V, 60 Hz: High Voltage Connection	
Rated Output (HP)	.75			Full Load Torque	2.25 LB-FT
Volts	208-230/460			Start Configuration	direct on line
Full Load Amps	3.2-3/1.5			Breakdown Torque	10 LB-FT
R.P.M.	1725			Pull-up Torque	8.5 LB-FT
Hz	60	Phase	3	Locked-rotor Torque	8.8 LB-FT
NEMA Design Code	B	KVA Code	K	Starting Current	10 A
Service Factor (S.F.)	1			No-load Current	1.2 A
NEMA Nom. Eff.	73	Power Factor	58	Line-line Res. @ 25°C	17.7 Ω
Rating - Duty	40C AMB-CONT			Temp. Rise @ Rated Load	74°C

**Load Characteristics 460 V, 60 Hz, 0.75 HP**

% of Rated Load	25	50	75	100	125	150
Power Factor	28	42	55	64	71	76
Efficiency	56.1	69.7	74.7	76.2	76.1	75.2
Speed	1783	1766	1749	1731	1711	1693
Line amperes	1.2	1.2	1.3	1.5	1.6	1.8

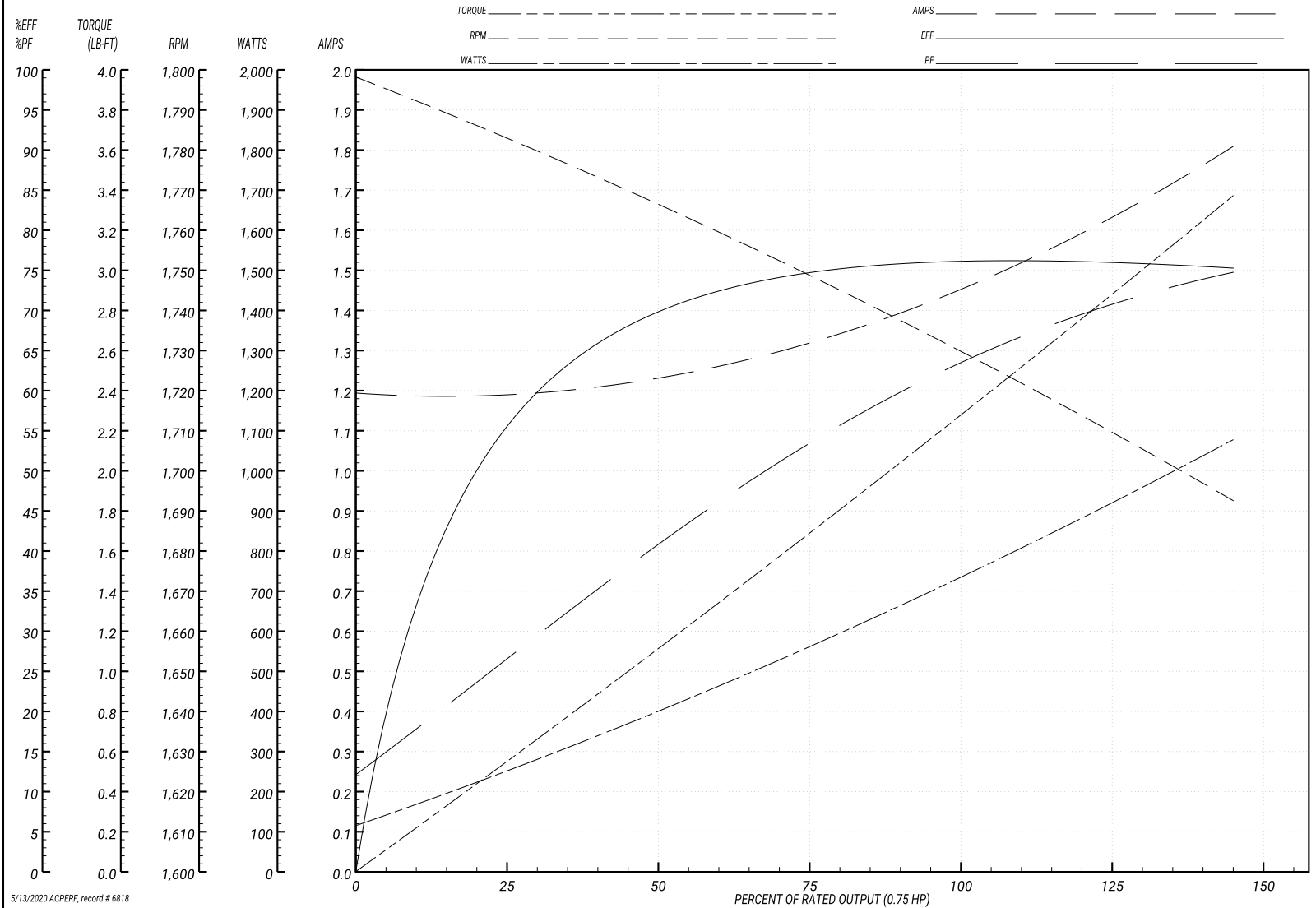
Performance Graph at 460V, 60Hz, 0.75HP Typical performance - Not guaranteed values

ABB Motors and Mechanical Inc.

WINDING # 34WG5721

Typical performance - not guaranteed values.

0.75 HP 3 PH 60 HZ 1725 RPM 460 V 3420M  
 TORQUES(LB-FT): PO=10 PU=8.5 LR=8.8 LRA=10



5/13/2020 ACPERF, record # 6818

**AC Induction Motor Performance Data**  
Record # 52509 - Typical performance - not guaranteed values

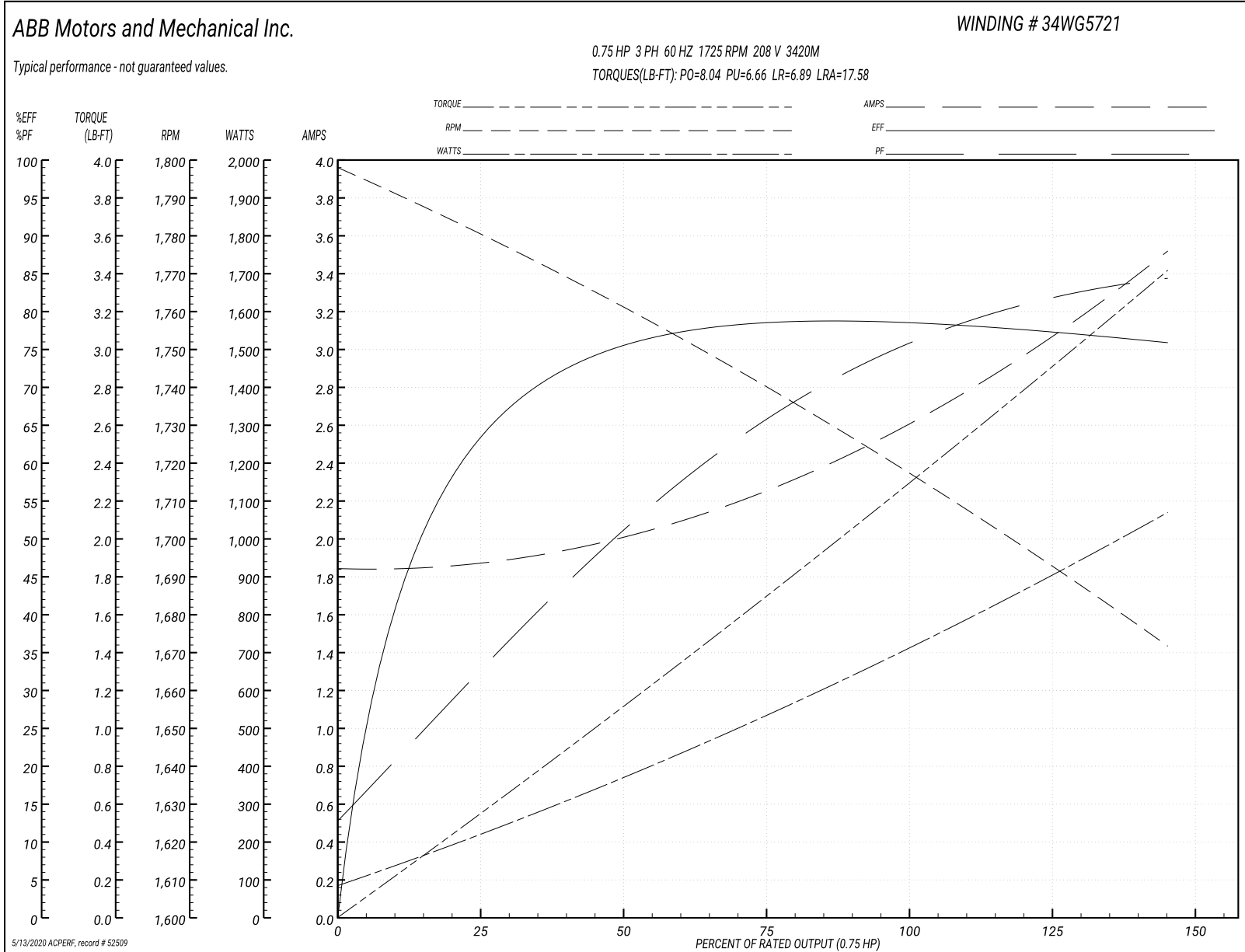
<b>Winding:</b> 34WG5721-R001	<b>Type:</b> 3420M	<b>Enclosure:</b> XPFC
-------------------------------	--------------------	------------------------

Nameplate Data				208 V, 60 Hz: Low Voltage Connection	
Rated Output (HP)	.75			Full Load Torque	2.26 LB-FT
Volts	208-230/460			Start Configuration	direct on line
Full Load Amps	3.2-3/1.5			Breakdown Torque	8.04 LB-FT
R.P.M.	1725			Pull-up Torque	6.66 LB-FT
Hz	60	Phase	3	Locked-rotor Torque	6.89 LB-FT
NEMA Design Code	B	KVA Code	K	Starting Current	17.58 A
Service Factor (S.F.)	1			No-load Current	1.856 A
NEMA Nom. Eff.	73	Power Factor	58	Line-line Res. @ 25°C	4.425 Ω
Rating - Duty	40C AMB-CONT			Temp. Rise @ Rated Load	63°C
				Locked-rotor Power Factor	57.4
				Rotor inertia	0.0476 LB-FT <sup>2</sup>

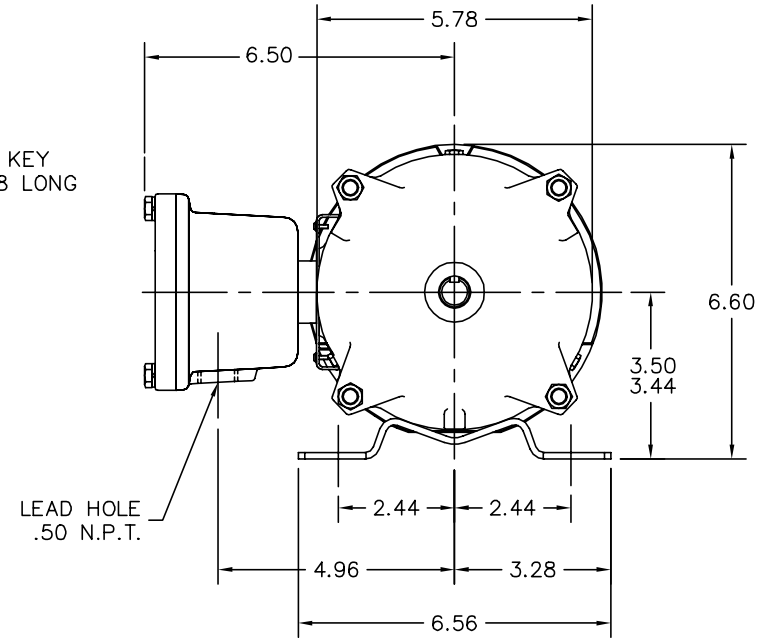
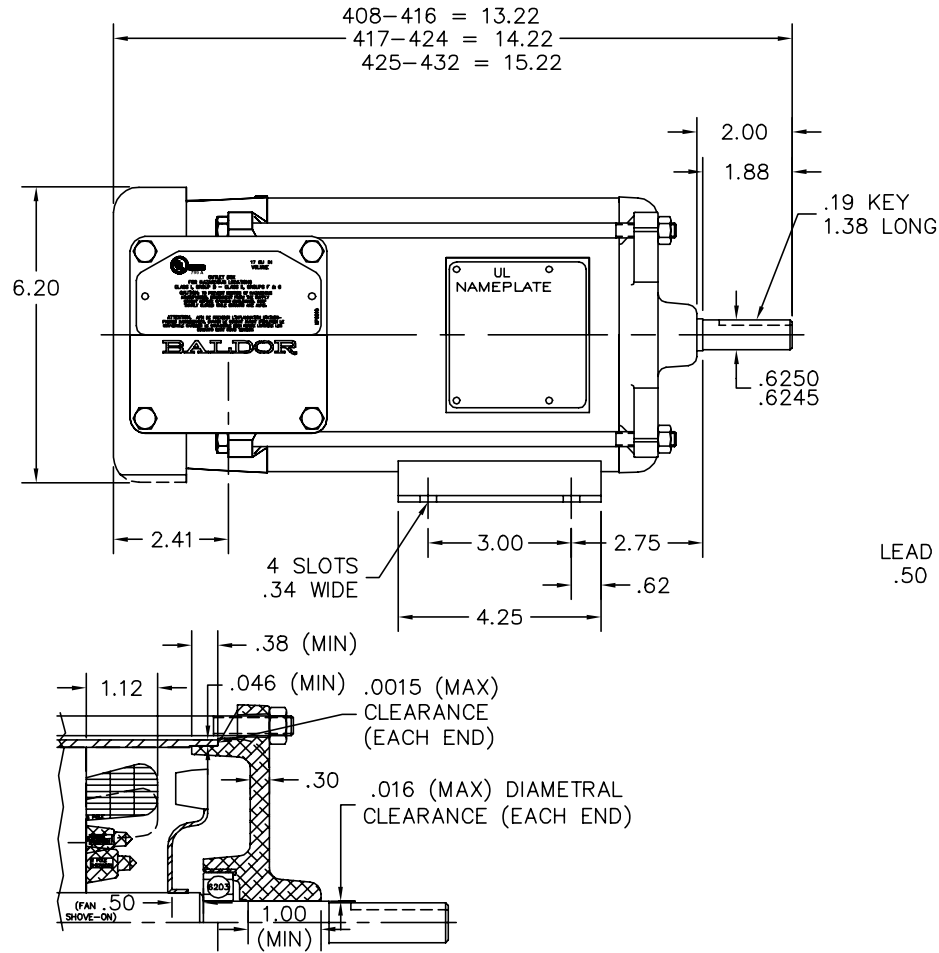
**Load Characteristics 208 V, 60 Hz, 0.75 HP**

% of Rated Load	25	50	75	100	125	150
Power Factor	33	53	67	73	82	85
Efficiency	64	75.4	78.7	78.5	77.6	75.9
Speed	1780	1761	1740	1719	1695	1672
Line amperes	1.888	1.958	2.22	2.68	3	3.5

Performance Graph at 208V, 60Hz, 0.75HP Typical performance - Not guaranteed values



34LY5323



CUSTOMER IS RESPONSIBLE FOR DETERMINING THAT BALDOR'S PRODUCT WILL PERFORM SUITABLY IN THE INTENDED APPLICATION.

REV. DESC: UPDATE DWG		
REV. LTR: K	VERSION: 07	TDR: 000000918748
FILE: \AAA\00026\312	REVISED: 03:56:50 04/06/2015	BY: ENJERWO
MTL: -		

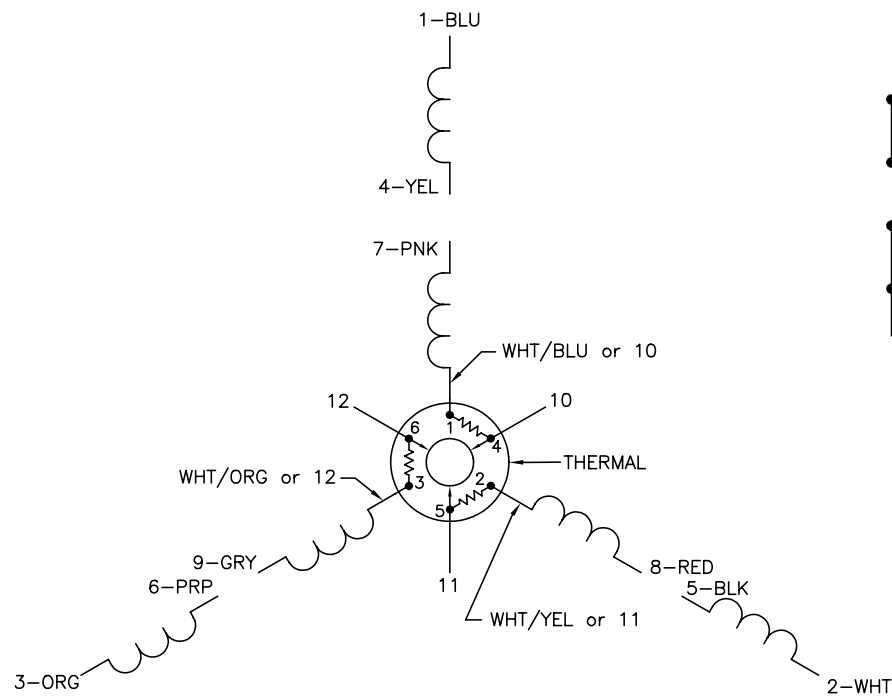
**BALDOR**

HORZ X34M 56 XPFC CL-I GP-D, CL-II GP-F&G, .50 NPT LEAD

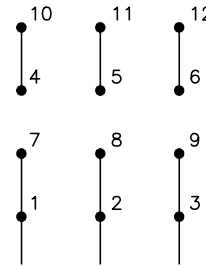
SH 1 of 1

34LY5323

CD0007

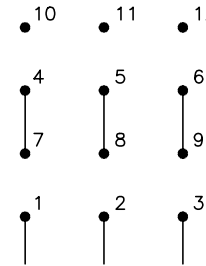


LOW VOLTAGE  
(2Y)



LINE

HIGH VOLTAGE  
(1Y)



LINE

NOTES:

1. INTERCHANGE ANY TWO LINE LEADS TO REVERSE ROTATION.
2. ACTUAL NUMBER OF INTERNAL PARALLEL CIRCUITS MAY VARY.
3. LEAD COLORS ARE OPTIONAL. LEADS MUST ALWAYS BE NUMBERED AS SHOWN.

REV. DESC: ADDED "CK" PLANT CODE			
REV. LTR: E	BY: EAH	REVISED: 05/06/99 17:1	TDR: 0181040
L00000		FILE: AAA00008370	MDL: -
		MTL: -	

**BALDOR ELECTRIC Co.**

3PH, DV, THERMAL, 12 LEADS

CD0007